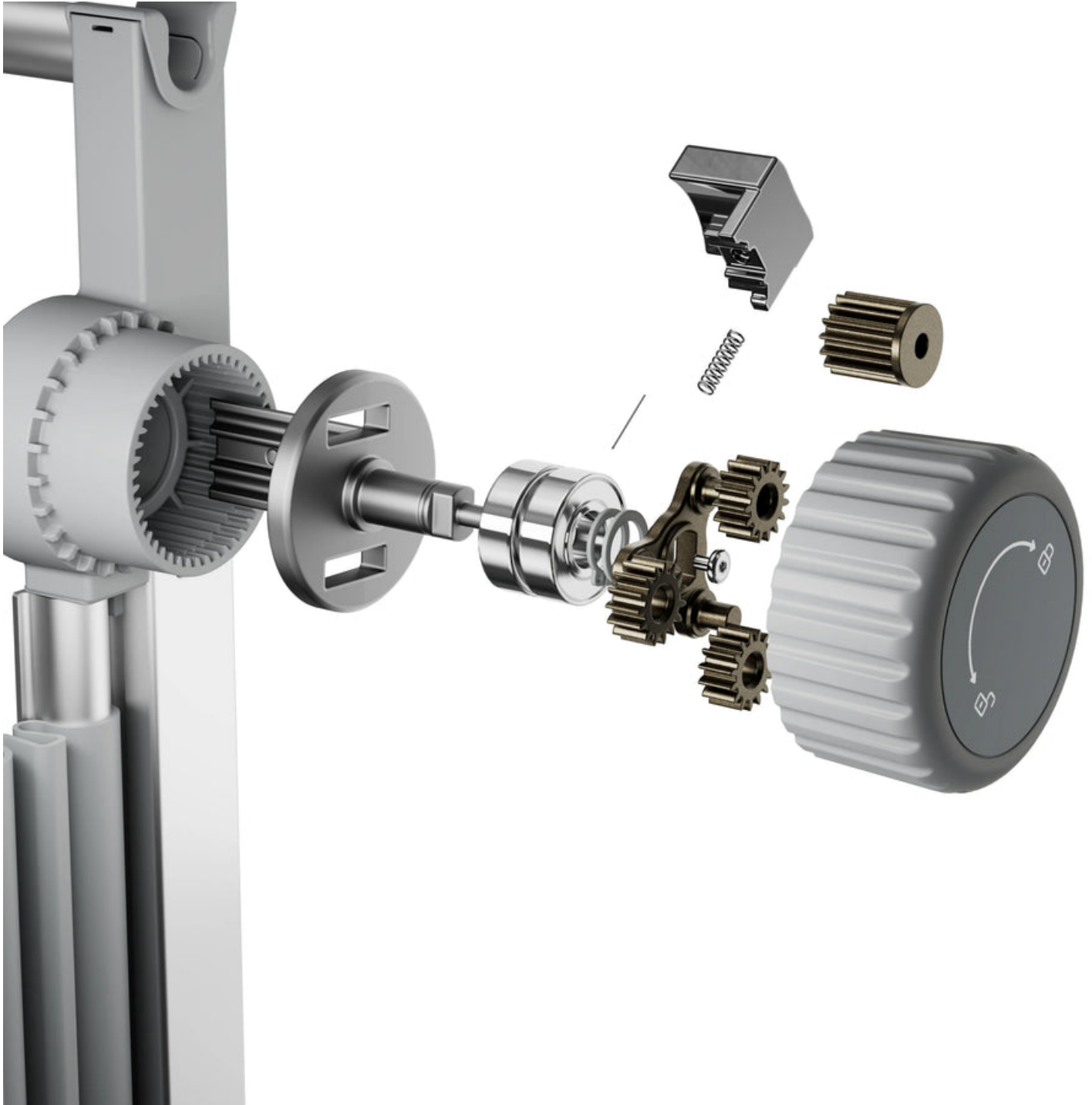


## Unlock the Secret to Crafting Stunning Rugs: Where to Find the Perfect Tufting Frame!

In the world of DIY crafts, tufting has emerged as an exciting and creative way to make stunning rugs that can transform any space. A [tufting frame](#) is an essential tool for anyone looking to dive into this art form, providing the necessary structure and support for your creativity to flourish. With the growing interest in handmade home décor, more crafters are exploring the joys of tufting, which not only offers a fulfilling pastime but also results in beautiful, custom pieces. In this article, we will guide you on where to find the perfect tufting frame, whether you are a beginner excited to start your first project or an experienced artisan looking to upgrade your tools.



### Understanding Tufting Frames

Tufting frames are specialized equipment designed to hold your fabric taut while you create your rugs. They come in various shapes and sizes, allowing for both small and large projects. The most common types include adjustable frames, which can accommodate different fabric sizes, and portable frames for crafters who prefer to work on the go. Each type has its unique features, such as adjustable tension settings or built-in clips, which can significantly enhance your tufting experience. Choosing the right tufting frame is crucial; it not only affects the ease of your crafting but also the final quality of your rug. A sturdy and well-constructed frame will ensure that your fabric stays secure, allowing you to focus on your design without distractions.

### Where to Buy Tufting Frames

When it comes to purchasing a tufting frame, you have several options to consider, each offering its own benefits. Local craft stores provide an excellent opportunity for hands-on experience, allowing you to test different frames before making a decision. Specialty shops, often found in larger cities, may have a wider selection of tufting frames, including unique or artisanal options that you won't find elsewhere. For those who prefer shopping from the comfort of their home, online marketplaces offer convenience and variety, enabling you to browse through different brands and styles. Lastly, DIY communities—both online and in-person—often host workshops and events where you can purchase or even borrow tufting frames, fostering a sense of community among crafters.

### **Local Craft Stores**

Visiting local craft stores can be a delightful experience. Many of these stores offer not only a selection of tufting frames but also personalized advice from knowledgeable staff. You can explore various options in person, ensuring that you choose a frame that feels right for you. Additionally, local stores often hold workshops or classes where you can learn tufting techniques and connect with fellow crafters, enhancing your overall crafting journey.

### **Online Marketplaces**

Online shopping has revolutionized the way we purchase crafting supplies. With a few clicks, you can access a vast array of tufting frames from different sellers. This convenience, however, comes with the need for caution. When purchasing online, it's essential to read reviews and verify the credibility of the seller. Look for detailed product descriptions and images to ensure that the frame meets your needs. A good practice is to compare multiple listings to find the best option for your requirements.

### **DIY Communities**

Joining DIY communities can provide a wealth of resources for aspiring tufting enthusiasts. Many of these groups organize events where members can purchase or borrow tufting frames. Participating in community workshops not only allows you to learn from experienced crafters but also opens up opportunities to network and share advice. Online forums and social media groups can also be great places to find recommendations for where to buy tufting frames, as well as tips for getting started with your projects.

## **Factors to Consider When Choosing a Tufting Frame**

Choosing the right tufting frame is a decision that should not be taken lightly. Several factors come into play, including size, material, portability, and ease of use. Size is important, particularly if you plan to work on larger rugs; a frame that is too small will limit your creativity. The material of the frame also matters—wooden frames tend to be sturdier, while plastic frames may be lighter and more portable. If you often craft in different locations, consider a portable frame that is easy to transport. Lastly, ease of use is paramount; look for features that simplify the tufting process, such as adjustable tension mechanisms, to enhance your crafting experience.

## **Making an Informed Choice on Your Tufting Frame**

In conclusion, finding the perfect tufting frame is a critical step in your rug-making journey. With various options available—from local craft stores to online marketplaces and DIY communities—there is no shortage of places to explore. By understanding what to look for in a tufting frame, you can make an informed choice that aligns with your crafting goals. So, gather your materials, unleash your creativity, and start crafting stunning rugs that reflect your unique style!