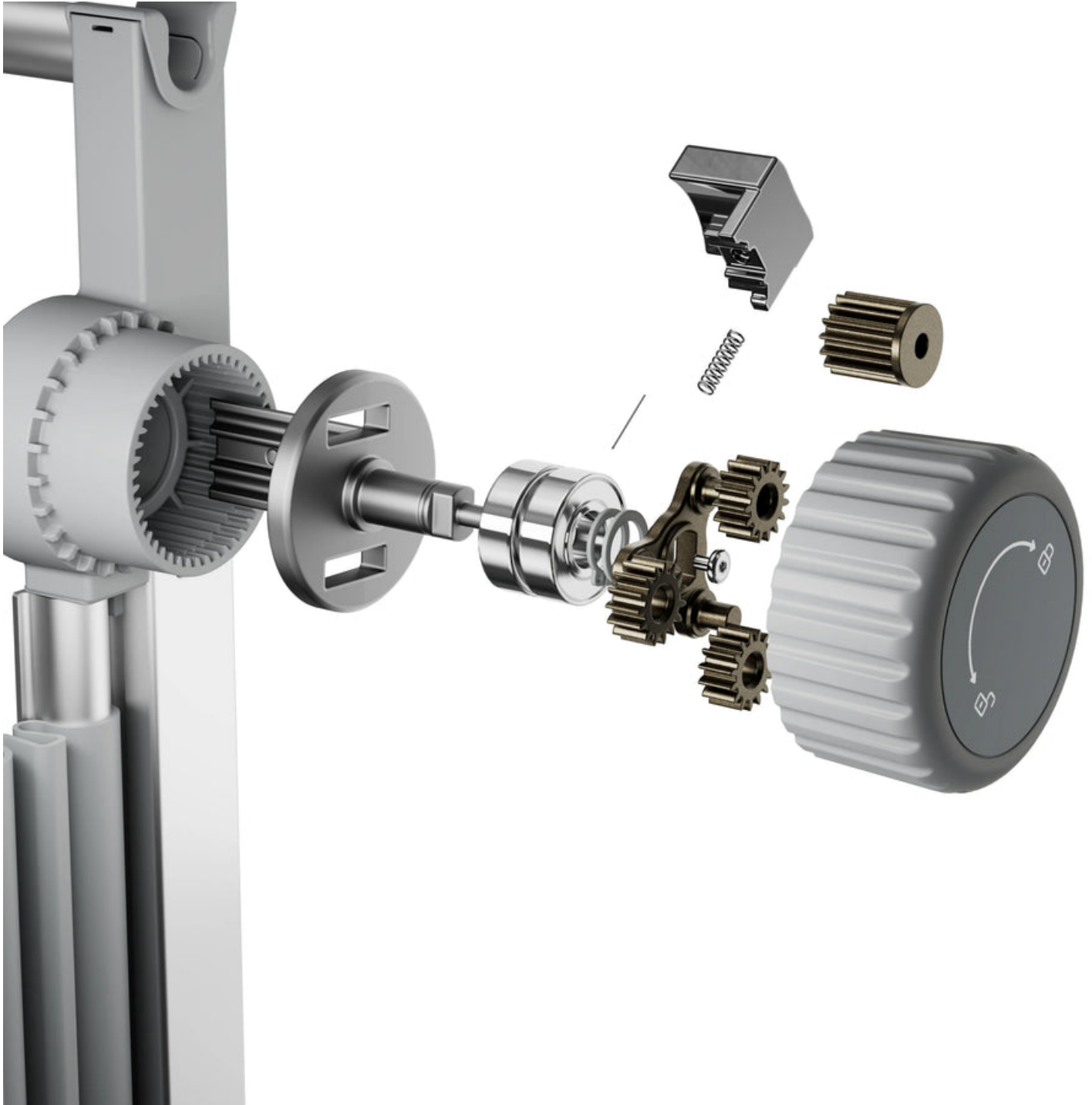


## Unlocking the Secrets of Nail-Free Tufting Frames: Transform Your Crafting Game!

[Nail-free tufting frames](#) are revolutionizing the world of crafting, providing enthusiasts with an innovative way to create stunning textile projects without the hassle of traditional methods. As crafting trends evolve, these frames are gaining popularity for their ability to enhance creativity while streamlining the tufting process. Gone are the days of worrying about sharp nails and complicated setups; with nail-free tufting frames, crafters can focus on what truly matters – bringing their artistic visions to life. Whether you're a seasoned professional or a curious beginner, these frames open up a world of possibilities, making them an essential tool in any crafting toolkit.



### Understanding Nail-Free Tufting Frames

Nail-free tufting frames are designed to simplify the tufting process, allowing users to secure their fabric and yarn without the use of nails. Instead, these frames utilize a combination of tension and specialized clips or fasteners to hold materials in place. The technology behind these frames often involves lightweight and durable materials, such as high-strength plastics or aluminum, which provide stability while remaining portable. This innovation stands in stark contrast to traditional tufting methods that can be cumbersome and potentially hazardous due to exposed nails. By eliminating the need for nails, these frames not only enhance safety but also make it easier for crafters to achieve a professional finish with less effort.

### Benefits of Using Nail-Free Tufting Frames

One of the most significant advantages of nail-free tufting frames is the enhanced safety they offer. Without nails protruding from the frame, there's a reduced risk of injury, making them ideal for crafters of all ages. Additionally, these frames are incredibly user-friendly, allowing for quick setup and adjustment, which can lead to more complex designs being realized in less time. Crafters have reported saving both time and resources by using nail-free tufting frames, as they reduce the likelihood of material damage often associated with traditional methods. Furthermore, the versatility of these frames means they can accommodate a wide range of projects, from intricate rugs to delicate upholstery, enabling users to experiment with patterns and textures that were previously challenging to achieve.

## **Use Cases for Nail-Free Tufting Frames**

Nail-free tufting frames are versatile tools that can be employed in various crafting applications, making them a favorite among hobbyists and professionals alike. For instance, rug making is a popular use case, where crafters can create custom designs that fit their aesthetic preferences and home decor. A friend of mine recently completed a stunning geometric rug using a nail-free tufting frame, and the result was not only beautiful but also remarkably durable. Upholstery projects, such as reupholstering chairs or making cushions, also benefit from the ease of use provided by these frames. Additionally, artists are discovering creative ways to incorporate tufting into their art projects, utilizing these frames to create textured wall hangings or unique fabric canvases. The possibilities are truly endless, as crafters continue to push the boundaries of what can be achieved with nail-free tufting frames.

## **Tips for Getting Started with Nail-Free Tufting Frames**

For those eager to dive into the world of nail-free tufting, selecting the right frame is essential. Consider the size of your projects; larger frames are ideal for substantial rugs, while smaller ones may be more suitable for delicate items. Additionally, look for frames made from high-quality materials that will withstand the rigors of crafting. Maintenance is also key; regularly check for any wear and ensure that clips or fasteners remain in good condition to prolong the life of your frame. Finally, don't hesitate to experiment with different fabrics and yarns to discover what works best for your creative style. With the right tools and a bit of practice, you'll be well on your way to creating beautiful tufted pieces.

## **Harnessing the Power of Nail-Free Tufting Frames**

Nail-free tufting frames are transforming the crafting landscape, offering a safe, efficient, and versatile option for crafters of all skill levels. By understanding how they work and the numerous benefits they provide, you can unlock your creativity and explore new project possibilities. Whether you're making a cozy rug or an artistic piece, these frames are a game-changer. So why not give them a try? Embrace the world of nail-free tufting and watch your crafting journey flourish!