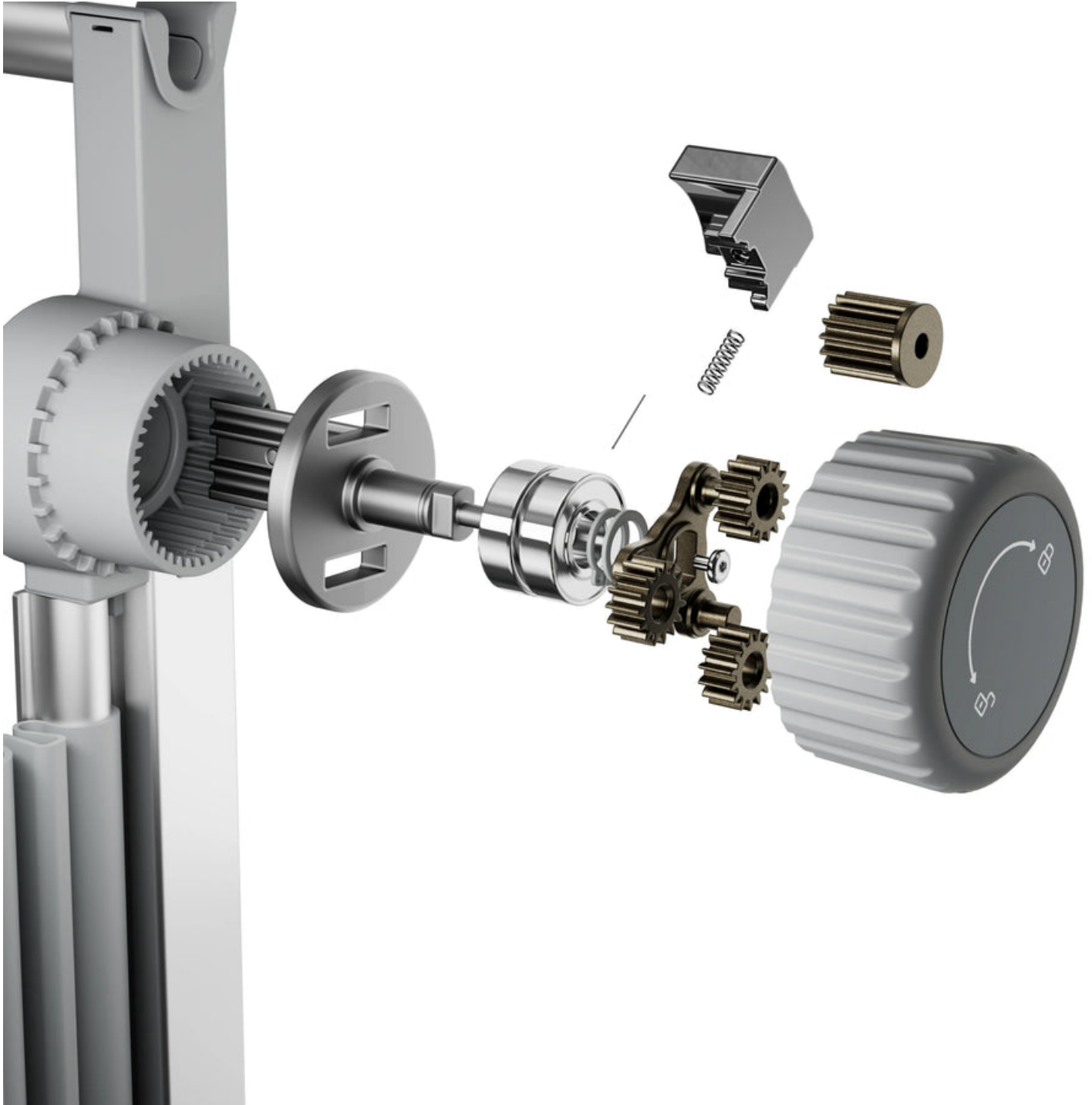


## Unlock the Secrets of Tufting Frames: Transform Your Crafting Experience!

In the vibrant world of crafting, tufting has carved out its niche, allowing creators to weave their imagination into stunning textiles. At the heart of this craft lies the [tufting frame](#), a vital tool that can significantly enhance your tufting projects. Tufting frames are designed to hold your materials securely while you work, ensuring that your creations maintain their intended shape and tension. This article will delve into the intricacies of tufting frames, exploring their functions, types, and how to use them effectively to elevate your crafting experience. Whether you're a seasoned tufting enthusiast or a curious beginner, understanding the role of a tufting frame will empower you to unleash your creativity and produce beautiful, professional-quality pieces.



### What is a Tufting Frame?

A tufting frame is a specialized structure that supports the tufting process by holding the fabric and yarn in place. Generally made of sturdy materials such as wood or metal, these frames come in various sizes and shapes to accommodate different tufting projects. Some tufting frames are adjustable, allowing crafters to modify the size according to their needs, while others are fixed and designed for specific project dimensions. For instance, a friend of mine recently invested in a large, adjustable tufting frame for her rug-making endeavors. She found that having the right frame not only streamlined her process but also made her work more enjoyable and less strenuous. By providing a solid foundation, tufting frames ensure that your work remains taut and organized, making them indispensable for any tufting project.

### Functions of a Tufting Frame

The primary function of a tufting frame is to maintain tension and structure during the tufting process. When you place your fabric on a tufting frame, it becomes securely anchored, allowing you to pull the yarn through without worrying about the backing shifting. This is crucial, especially when working on larger projects like rugs or wall hangings where uneven tension can lead to undesirable results. Additionally, tufting frames help keep your workspace organized, providing a designated area for your materials and tools. This organization can significantly reduce frustration and enhance your overall crafting experience. Furthermore, a well-structured tufting frame helps prevent damage to your materials, ensuring that your hard work translates into long-lasting beauty. My friend once struggled with uneven tension on her projects until she discovered the benefits of a proper tufting frame, which transformed her results and boosted her confidence in her crafting skills.

## How to Use a Tufting Frame Effectively

Using a tufting frame effectively can significantly enhance your crafting efficiency. Here's a step-by-step guide to setting up your tufting frame for optimal results:

1. **Prepare Your Workspace:** Ensure that you have a clean, flat surface to work on. This will help you maneuver your tufting frame with ease.
2. **Set Up the Frame:** Adjust the tufting frame to the desired height and size for your project. Make sure that it is stable and secure.
3. **Position Your Fabric:** Lay your backing fabric over the frame, ensuring it is taut but not overstretched. Secure the edges using clamps or tacks, depending on your frame's design.
4. **Adjust Tension:** Before you begin tufting, check the tension of your fabric. It should be tight enough to prevent sagging but not so tight that it warps the material. Adjust as necessary.
5. **Start Tufting:** Begin by threading your yarn through the tufting gun or needle, following your design plan. Take your time and ensure each stitch is consistent in depth and spacing.
6. **Regularly Check Tension:** As you work, periodically check the tension of your fabric to ensure it remains even. Adjust the frame as needed to maintain consistent tautness.
7. **Finishing Touches:** Once your tufting is complete, carefully remove the fabric from the frame, trim any excess yarn, and finish the edges according to your project requirements.

By following these steps, you can maximize the effectiveness of your tufting frame and enjoy a smoother crafting experience. Many crafters, including myself, have found that taking the time to properly set up the frame pays off in the quality of the final product.

## Common Mistakes to Avoid When Using a Tufting Frame

Even experienced crafters can make mistakes when using tufting frames, which can lead to frustrating outcomes. Here are some common pitfalls to watch out for:

- **Neglecting Tension:** One of the most common mistakes is failing to maintain proper tension throughout the project. If the fabric is too loose, it can lead to uneven tufting; if too tight, it can warp the backing. Regularly check and adjust tension as you work.
- **Inadequate Securing:** Not securing the fabric properly can result in shifts during tufting, causing misalignment. Always ensure the fabric is firmly attached to the frame.
- **Overfilling Tufts:** Some crafters make the mistake of trying to pack too much yarn into a single tuft. This can create an unattractive, bulky appearance. Stick to a consistent amount of yarn for each tuft.
- **Ignoring Frame Stability:** If your frame is unstable, it can lead to frustration. Always check that your frame is on a flat surface and that it's not wobbling during use.

By avoiding these common mistakes, you can ensure a smoother tufting process and achieve better results. Learning from others' experiences, including my own, has helped me refine my technique, making tufting a more enjoyable endeavor.

## Maximizing Your Tufting Frame Expertise

In conclusion, tufting frames are essential tools that play a significant role in the crafting process. By understanding their structure, functions, and effective usage, you can elevate your tufting projects and achieve professional-quality results. Whether you're creating a cozy rug for your living room or a unique wall hanging, having the right tufting frame can make all the difference. Embrace the creative potential that tufting offers, and don't hesitate to experiment with different designs and techniques. With practice and the right tools, you can transform your crafting experience and produce beautiful, lasting pieces that showcase your unique style.