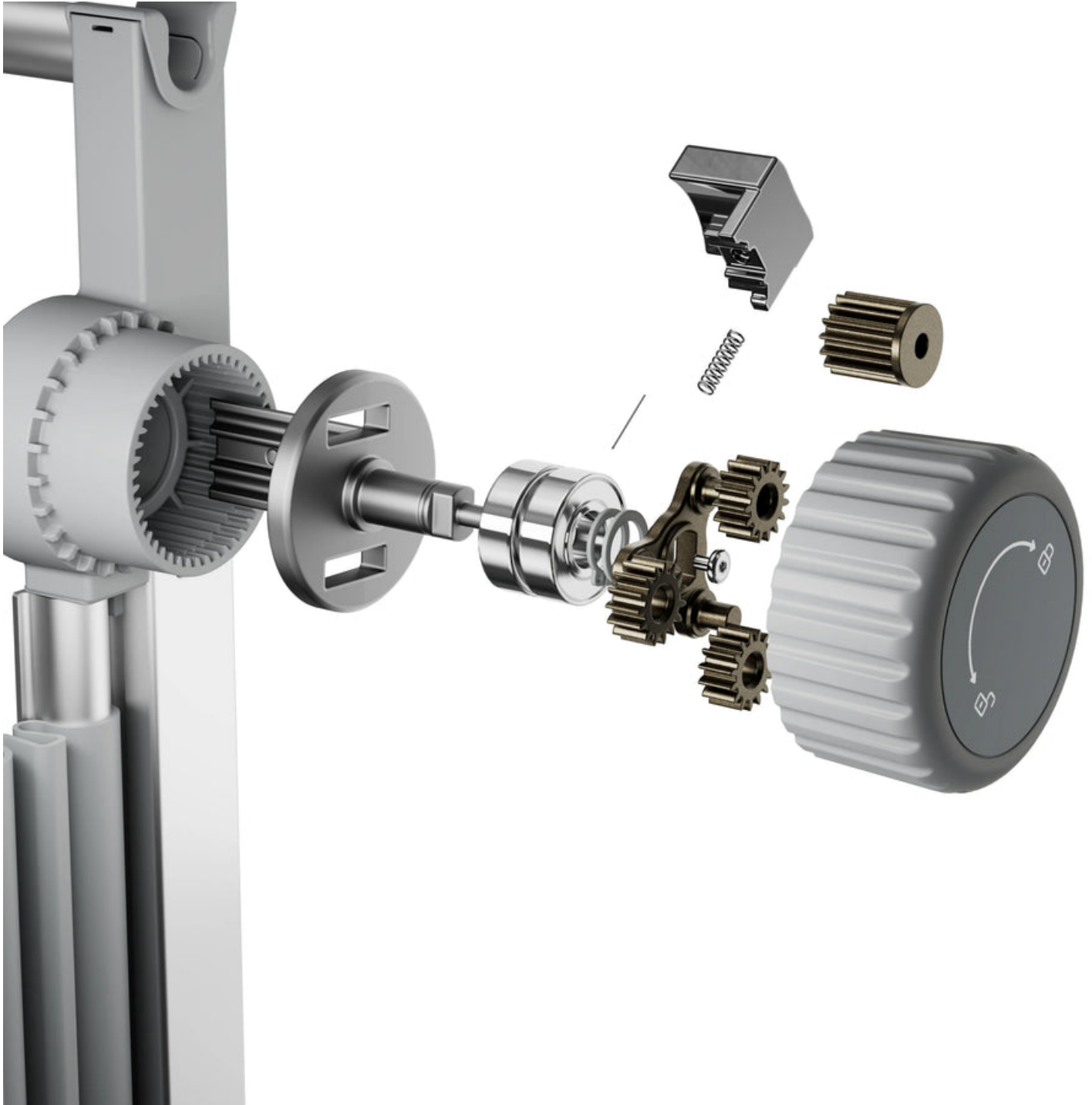


Unleash Your Creativity: Transform Your Space with DIY Tufting Magic!

In recent years, DIY tufting has surged in popularity among crafters and home decorators alike. This hands-on technique allows individuals to create stunning, personalized pieces that add character and warmth to any space. Whether you're looking to craft a cozy rug for your living room or an eye-catching wall hanging, tufting offers an avenue for self-expression and creativity. The satisfaction of transforming simple materials into beautiful, functional art cannot be overstated. As a friend of mine discovered while working on their first tufting project, the process is not only enjoyable but also incredibly rewarding. The thrill of watching a blank canvas come to life is what makes [DIY tufting](#) an irresistible pursuit.



Understanding DIY Tufting

Tufting is a textile technique that dates back centuries, originally used in the production of plush carpets and upholstery. The essence of tufting lies in its ability to create raised, textured designs by interweaving yarn through a backing material. This versatile craft can be seen in a variety of home decor applications, from luxurious rugs and cushions to artistic wall hangings. The beauty of tufting is that it allows you to customize colors, patterns, and textures, making each piece a unique reflection of your style. As you delve into this craft, you'll discover its endless possibilities; even a simple geometric pattern can transform a basic item into a statement piece. With tufting, the only limit is your imagination!

Choosing the Right DIY Tufting Frame

When embarking on your tufting journey, selecting the right frame is crucial to your success. There are various types of tufting frames available, each designed with different features to cater to your specific needs. Consider factors such as size, material, and ease of use when choosing a frame. A larger frame may be suitable for bigger projects like rugs, while a smaller frame might be perfect for wall art or decorative cushions. Many frames are made from durable materials like wood or metal, ensuring stability during the tufting process. My friend opted for a sturdy wooden frame that offered adjustable height, making it easier to work on various projects. The right frame will not only enhance your crafting experience but also yield professional-looking results.

Essential Tools and Materials for Tufting

To embark on your tufting adventure, you'll need a few essential tools and materials. First and foremost, a tufting gun is a game-changer, allowing you to efficiently insert yarn into the backing fabric. You'll also need quality yarn, which comes in various types and colors; consider using acrylic for durability or wool for a softer finish. Additionally, backing fabrics such as burlap or linen provide a sturdy foundation for your designs. Other useful tools include scissors, a ruler, and a needle for finishing touches. Many crafters find it helpful to source their supplies from local craft stores or online marketplaces. As you gather your materials, don't hesitate to invest in quality; high-quality yarn and tools can significantly impact the outcome of your projects.

Step-by-Step Guide to DIY Tufting

Now that you're equipped with your tufting frame, tools, and materials, it's time to dive into a simple project! Start by setting up your frame and securing the backing fabric tightly. Next, plan your design; sketching it out can provide a helpful guide. Using the tufting gun, begin inserting yarn according to your pattern. Focus on one section at a time, ensuring that your yarn is evenly spaced. Once you've completed your design, carefully trim any excess yarn and secure the ends with a needle to prevent unraveling. Finally, remove your piece from the frame and consider adding a backing for durability. My friend found their first project—a small rug—exceeded their expectations, and the joy of completing it was a milestone in their crafting journey.

Tips and Tricks for Successful Tufting

As you become more comfortable with tufting, there are several tips and tricks to enhance your projects. One common pitfall is rushing through the process; take your time to ensure each stitch is placed correctly. Experimenting with different stitches and patterns can add depth to your designs, so don't be afraid to try something new. Additionally, consider mixing yarn textures for a more dynamic look. My friend discovered that alternating between soft and chunky yarns created a beautiful contrast in their work. Lastly, always remember to have fun and embrace the creative process; each piece is a unique expression of your artistic vision!

Embrace the Joy of DIY Tufting

In conclusion, DIY tufting is a fantastic way to unleash your creativity and transform your home decor. With the right tools, materials, and a bit of practice, you can create stunning pieces that reflect your personal style. From understanding the basics of tufting to mastering the art of using your DIY tufting frame, the possibilities are endless. So, gather your supplies, set up your frame, and embark on this joyful journey of crafting. As you explore the world of tufting, you'll find not just beautiful decor pieces, but also a fulfilling hobby that brings satisfaction and joy to your creative spirit.