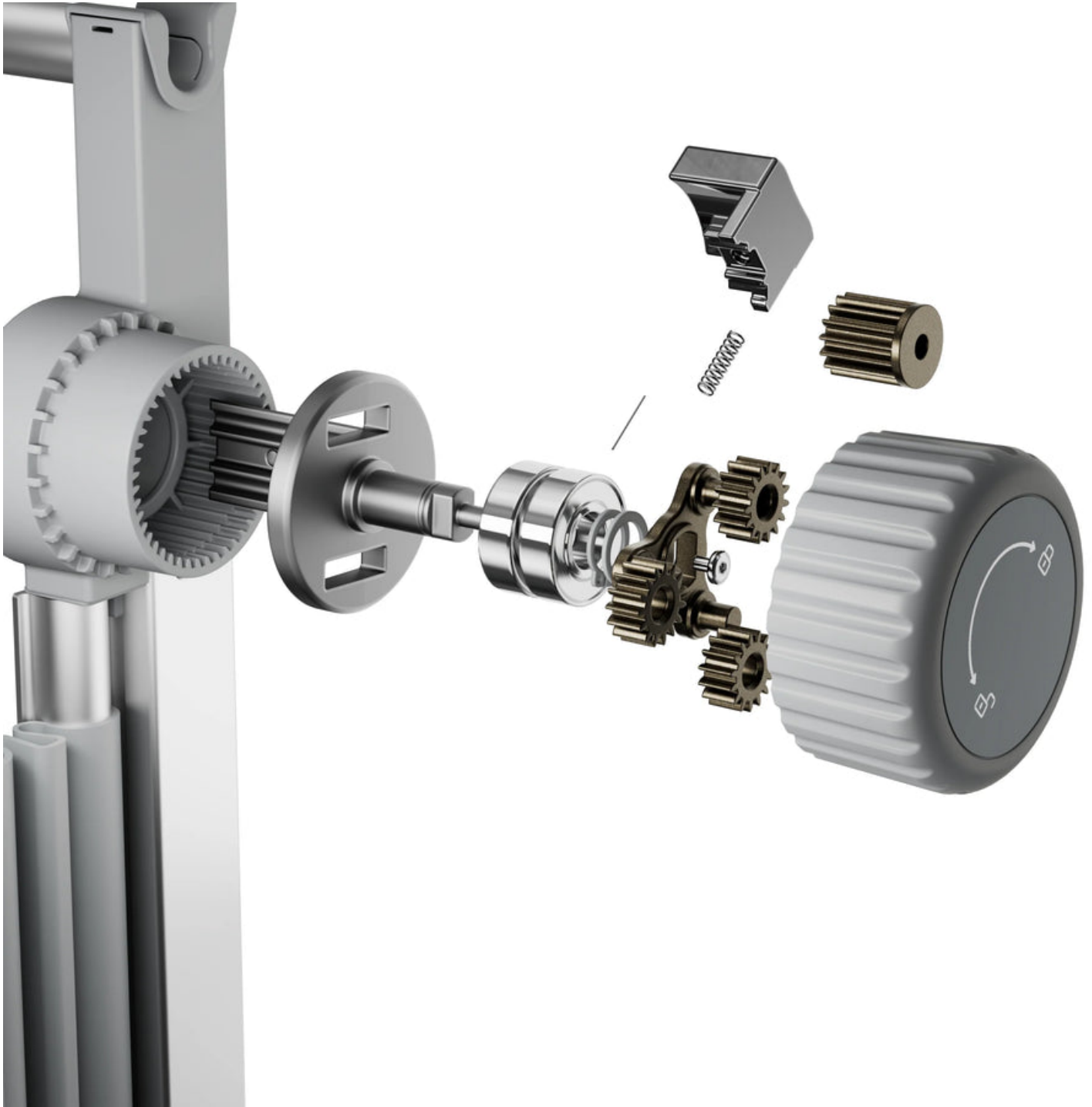


Unlock Your Creativity: Mastering Rug Tufting Frames for Stunning DIY Home Decor!

In the world of DIY home decor, [rug tufting frames](#) have emerged as a game-changer for creative enthusiasts looking to add a personal touch to their spaces. These versatile tools allow you to create custom rugs that reflect your unique style and taste. This article will explore the significance of rug tufting frames in the realm of home decor, providing insights into their benefits, how to use them effectively, and offering a plethora of inspiring project ideas. Whether you're a seasoned crafter or just starting your DIY journey, understanding rug tufting frames will unlock a new avenue for creativity and expression.



Understanding Rug Tufting Frames

At its core, a rug tufting frame is a specialized tool designed to facilitate the creation of tufted rugs by holding the backing material taut while the tufting process takes place. The frame typically consists of a sturdy wooden or metal structure with adjustable clamps to secure the fabric in place. There are various types of tufting frames available, ranging from small handheld models for simple projects to larger, floor-standing frames that accommodate more extensive designs. Each type serves different purposes, depending on the size and complexity of the rug you wish to create. When selecting a frame, consider the scale of your project and the materials you'll be using, as this will greatly influence your crafting experience.

Benefits of Using Rug Tufting Frames

The benefits of utilizing a rug tufting frame are abundant and can significantly enhance your DIY projects. One of the primary advantages is the creative freedom it offers; with a tufting frame, you can easily experiment with various designs, colors, and textures, allowing your imagination to run wild. Additionally, these frames are generally user-friendly, even for beginners. They simplify the tufting process, making it more accessible and enjoyable. Moreover, rug tufting frames enable you to create custom pieces tailored to your home decor, providing a sense of accomplishment and personal connection to your creations. By turning a simple piece of fabric into a work of art, you can elevate your living space and make it uniquely yours.

Step-by-Step Guide to Using a Rug Tufting Frame

Using a rug tufting frame can be an exhilarating experience, and with the right steps, you can create stunning pieces. First, begin by selecting your materials: you'll need a tufting frame, backing material (such as burlap or primary rug backing), yarn, and a tufting gun. Once you have everything ready, follow these steps for a successful tufting session:

- 1. Prepare the Frame:** Start by setting up your rug tufting frame in a comfortable workspace. Use the clamps to secure your backing material tightly to the frame. Ensure that the fabric is taut, as this will affect the quality of your tufting.
- 2. Design Your Rug:** Before you begin tufting, sketch out your design on paper. This will help you visualize the final product and guide your tufting process. You can also trace your design onto the backing material using fabric markers.
- 3. Select Your Yarn:** Choose the yarn you wish to use based on the thickness and texture you want for your rug. Consider mixing different types of yarn for added depth and interest.
- 4. Tufting Process:** With your tufting gun in hand, start inserting the yarn into the backing material according to your design. Work in small sections, focusing on one color at a time. The tufting gun will push the yarn through the fabric, creating loops on the other side. Keep an even tension to ensure consistency in your rug.
- 5. Finishing Touches:** Once you've completed tufting your design, trim any excess yarn and secure the loops with adhesive or by stitching them down. Finally, remove the backing from the frame and prepare the rug for installation.

Tips for Successful Tufting

To ensure a successful tufting experience, consider these practical tips: First, always practice on a scrap piece of fabric before starting your main project; this will help you get comfortable with the tufting gun. Second, avoid overstuffing your yarn, as this can lead to an uneven finish. Finally, be patient! Tufting can be a time-consuming process, but the end result will be worth the effort.

Creative Ideas for DIY Projects with Rug Tufting Frames

Once you've mastered the basics, the possibilities with rug tufting frames are endless! Here are some creative project ideas to inspire your next DIY endeavor:

- **Custom Area Rugs:** Design unique area rugs that complement your living space. Play with shapes, colors, and patterns to create a statement piece.
- **Wall Hangings:** Use tufting frames to create textured wall art that adds depth and warmth to your decor. This can become a focal point in any room.
- **Cushions and Throws:** Transform your tufting skills into cozy cushions or throws that add comfort and style to your furniture.
- **Seasonal Decor:** Create themed rugs or decorative items for holidays or special occasions, adding a personal touch to your celebrations.

Embrace Your Creative Journey with Rug Tufting

In conclusion, rug tufting frames present an exciting opportunity for anyone looking to explore their creativity and enhance their home decor. Through understanding how to use these frames effectively, you can enjoy the many benefits they offer, from creative freedom to the satisfaction of crafting personalized pieces. With the right guidance and inspiration, you can embark on your tufting journey and create stunning projects that reflect your unique style. So gather your materials, set up your tufting frame, and let your creativity shine as you embark on an enriching DIY adventure!