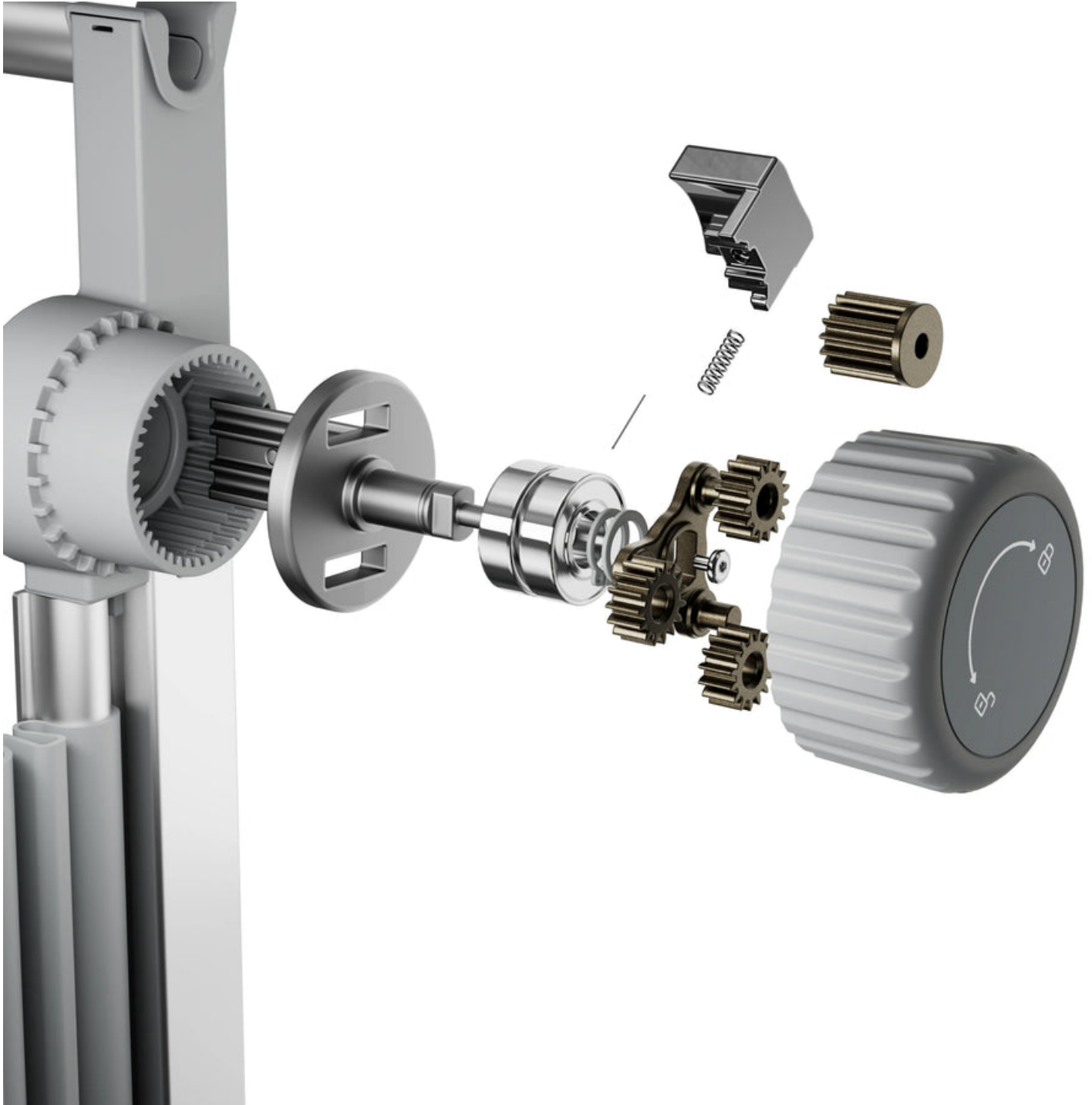


## Unlock the Secret to Flawless Tufting: Discover the Perfect Frame Today!

In recent years, tufting has emerged as a beloved technique in the world of home decor and crafting. From plush rugs to cozy wall hangings, the artistry of tufting allows creators to infuse their personal style into every piece. However, achieving those flawless results that make tufted items truly stand out often hinges on one crucial element: the [tufting frame](#). A high-quality frame can significantly influence the ease and precision of your tufting projects. In this article, we will explore the essentials of tufting, delve into the benefits of owning a tufting frame, and highlight key features to look for when making your purchase. By the end, you'll be well-equipped to select the perfect tufting frame for your crafting endeavors.



### Understanding Tufting and Its Benefits

Tufting, a technique that dates back centuries, involves creating a thick, textured fabric by inserting yarn or thread into a backing material using a tufting gun or needle. This method has found its place in various crafts, from furniture upholstery to decorative art pieces. One of the standout benefits of tufting is the level of customization it allows. Crafters can choose colors, patterns, and textures to bring their visions to life, making each creation unique. Moreover, tufted items are known for their durability; the dense pile created through tufting not only feels luxurious but also stands the test of time. Additionally, the aesthetic appeal of tufted pieces makes them a popular choice for home decor, adding a touch of warmth and personality to any space.

### What to Look for in a Tufting Frame

When it comes to purchasing a tufting frame, several key features are essential to consider. First and foremost is the size of the frame; it should be appropriate for the projects you plan to undertake and fit comfortably in your workspace. Stability is another crucial factor; a well-constructed frame keeps your fabric taut, allowing for precise tufting. Additionally, look for frames that offer adjustability, as this feature enables you to customize the frame according to different tufting techniques and fabric types. Each of these features plays a significant role in how efficiently you can execute your tufting projects, impacting both the process and end results.

### **Size Matters: Choosing the Right Dimensions**

Choosing the right size for your tufting frame is essential, as it directly affects your crafting experience. Most frames come in standard dimensions, but it's vital to select one that suits your individual needs and the types of projects you envision. For instance, a larger frame may be ideal for making rugs or larger wall hangings, while a smaller frame can be perfect for cushions or smaller decorative pieces. Consider your workspace as well; ensure that the frame fits comfortably, allowing you to maneuver easily without feeling cramped.

### **Material and Build Quality**

The materials used in tufting frames vary widely, impacting both their durability and performance. Common materials include wood and metal, each offering distinct advantages. Wooden frames may provide a classic look and feel but can sometimes lack the durability of metal options. On the other hand, metal frames tend to offer more stability and longevity. Regardless of the material, ensure that the frame is well-constructed, as a sturdy build will withstand the rigors of intensive tufting sessions and provide consistent results throughout your crafting journey.

### **Setting Up Your Tufting Frame**

Once you have selected the right tufting frame, setting it up properly is crucial for optimal use. Begin by securing your fabric onto the frame, ensuring it is taut to avoid any slack during tufting. Adjusting the tension is another vital step; too much tension can cause the fabric to tear, while too little can lead to uneven tufting. A good tip is to test the tension with a small tuft before proceeding with the entire project. Lastly, ensure the frame is stable and positioned in a comfortable workspace, allowing you to focus entirely on your crafting without distractions.

### **Choosing the Ideal Tufting Frame for Your Needs**

In summary, selecting the right tufting frame is a pivotal step in achieving beautiful, professional-quality tufted pieces. By considering factors such as size, material, and stability, you can make an informed decision that aligns with your crafting needs. Remember, tufting is not just a technique; it's a form of expression that brings joy and creativity into your life. So whether you're a seasoned pro or just starting out, investing time in finding the perfect tufting frame will pay off in the quality and satisfaction of your projects.