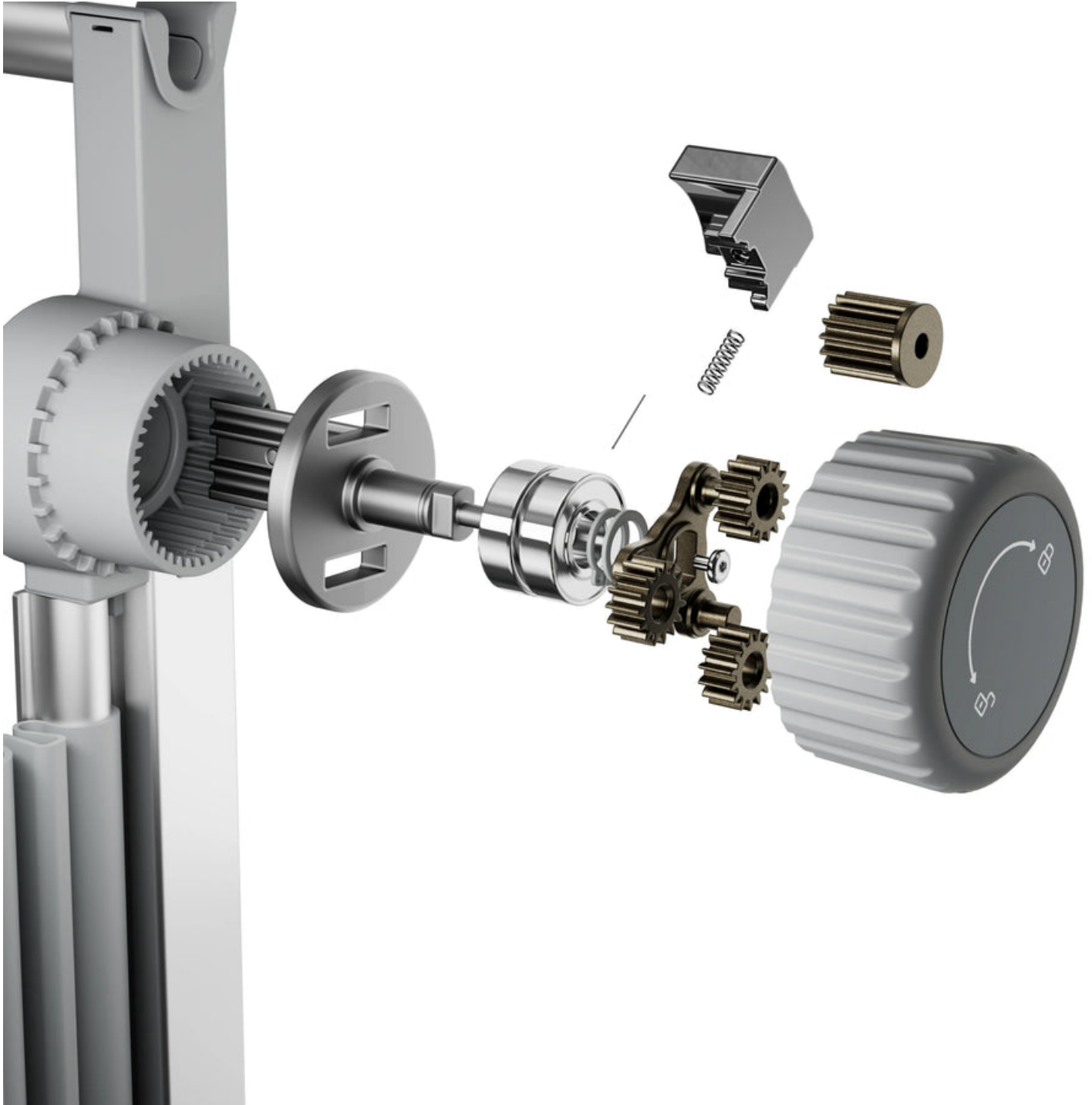


Unlock Your Creativity: Discover the Perfect Tufting Frame Plans and Kits!

Tufting has emerged as a captivating and creative outlet for DIY enthusiasts, allowing individuals to transform ordinary fabric into stunning, textured works of art. As more people discover the joy of tufting, the significance of having a proper [tufting frame](#) becomes increasingly evident. A well-designed frame not only enhances the tufting process but also unlocks a world of possibilities for your crafting endeavors. Whether you're a seasoned pro or a curious beginner, the availability of plans and kits for building your own tufting frame can guide you through the process, ensuring that you have the tools you need to express your creativity fully.



Understanding Tufting Frames

A tufting frame is an essential structure that holds your fabric taut while you work, allowing for precise and even tufting. It serves as the backbone of the tufting process, ensuring that your project maintains its shape and integrity. There are various types of tufting frames available, including handheld frames for smaller projects and larger, more stable frames for extensive works. Opting for a DIY approach to creating your tufting frame offers several advantages. Not only can you customize the dimensions to suit your specific needs, but you also gain a sense of accomplishment from building something with your own hands. Friends who have ventured into tufting often share their excitement about how constructing their own frame made the entire project feel more personal and fulfilling.

Exploring Tufting Frame Plans

For those looking to embark on a tufting journey, there are numerous tufting frame plans available that cater to various skill levels and project requirements. A good plan should provide clear instructions, a comprehensive materials list, and accurate dimensions to ensure a successful build. When searching for quality plans, consider exploring DIY blogs, crafting forums, or even social media platforms where experienced tufting aficionados share their creations and insights. A friend of mine recently found an excellent plan online that not only detailed the assembly process but also included useful tips for troubleshooting common issues. These plans can serve as a fantastic starting point, enabling you to visualize the final product and gain confidence in your crafting abilities.

Tufting Frame Kits: A Convenient Option

Tufting frame kits present a convenient alternative for those who prefer a more streamlined approach to crafting. Unlike plans, which require sourcing individual materials and tools, kits generally include everything needed to build your frame, saving you time and effort. The benefit of using a kit lies in the assurance that all necessary components are included, reducing the risk of frustrating trips to the hardware store. When selecting a tufting frame kit, consider the size of the frame, the quality of materials, and any additional tools or accessories that may come with it. Many DIY enthusiasts appreciate the simplicity and ease of use that kits provide, making them a popular choice for both beginners and seasoned crafters alike.

DIY Tufting Frame Assembly Tips

Assembling your tufting frame, whether from a plan or a kit, can be a rewarding experience with the right approach. Start by carefully reading through the instructions and gathering all necessary tools before beginning. Safety is paramount, so be sure to wear protective gear, especially if using power tools. One common mistake is rushing through the assembly process; taking your time can lead to a sturdier, more reliable frame. Personalizing your frame is another exciting aspect of the DIY process—consider adding your own flair with paint or finish to match your crafting space. A friend shared their experience of customizing their tufting frame with vibrant colors, which not only made it visually appealing but also added a fun twist to their crafting routine.

Choosing the Right Tufting Frame

Choosing the right tufting frame plans or kits is crucial for unleashing your creativity in tufting projects. Whether you opt for a DIY plan that allows for customization or a convenient kit that simplifies the process, the key is to explore your options and find what resonates with you. Embrace the journey of building your tufting frame, and let it inspire you to create beautiful, textured art that reflects your unique style and vision. So gather your materials, roll up your sleeves, and take the plunge into the world of DIY tufting frame construction—your creative adventures await!