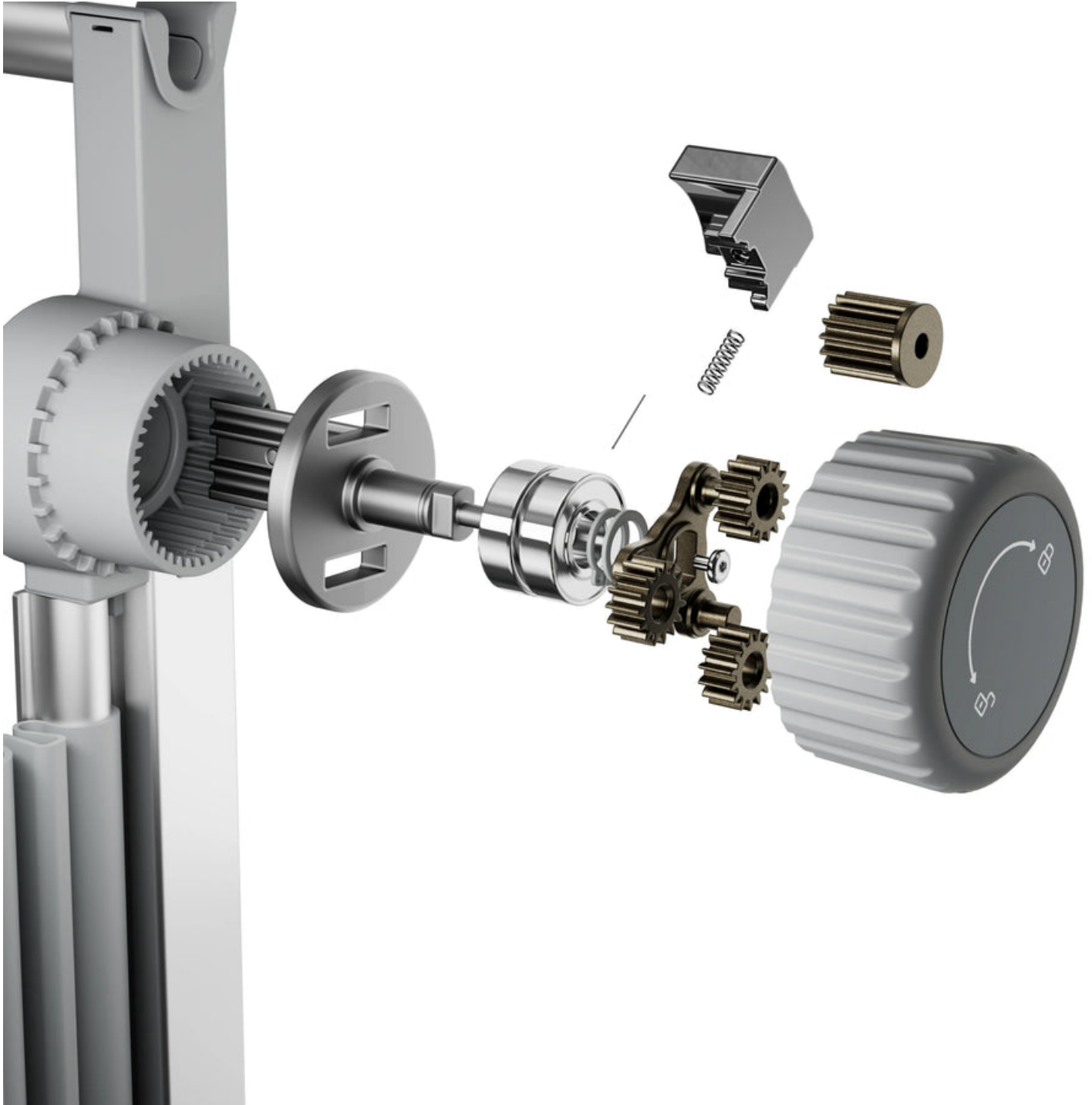


Unlock the Secrets to Choosing the Perfect Tufting Frame for Your Creative Journey!

Tufting frames are essential tools for anyone looking to explore the world of tufting, a craft that transforms yarn into stunning textiles. The significance of a tufting frame cannot be overstated; it serves as the backbone of your creative process, dictating not just the ease of your work but also the quality of the finished product. With a plethora of options available in the market, choosing the right [tufting frame](#) can feel overwhelming. This article aims to guide you through the intricacies of tufting frames, helping you make an informed decision that aligns with your creative aspirations. Whether you are a seasoned tufting artist or a curious beginner, understanding the various types and features of tufting frames will empower you to select the perfect one for your projects.



Understanding Tufting Frames

A tufting frame is essentially a sturdy structure that holds your backing material in place while you work on tufting. It plays a crucial role in providing the necessary tension and stability required for the tufting process. There are various types of tufting frames available, including vertical frames, horizontal frames, and portable frames. Each type serves a unique purpose and caters to different styles of tufting. Vertical frames are often favored for their ergonomic design, allowing for easier access and visibility. Horizontal frames, on the other hand, offer a stable platform for larger projects. Portable frames are perfect for those who prefer to tuft on the go, offering convenience without sacrificing quality. Understanding the basic functionalities of these frames will help you select one that fits your crafting style and needs.

Key Features to Consider When Choosing a Tufting Frame

When selecting a tufting frame, several key features should be considered to ensure it meets your requirements. First, the size of the frame is vital; it should accommodate the dimensions of your project while allowing for some flexibility. A larger frame may offer more versatility for different projects, but it can also take up considerable space. The material of the frame is another essential factor; sturdier materials like metal tend to provide better stability and durability compared to plastic frames. Additionally, ease of use is crucial, especially for beginners. Look for frames that are easy to set up and adjust. Features such as adjustable height and tension can significantly enhance your crafting experience. The frame's design should facilitate a comfortable working posture to avoid strain during long crafting sessions. All these features collectively impact not just your immediate crafting experience but also the overall quality of your finished tufting projects.

Comparing Different Models of Tufting Frames

Comparing various tufting frames involves assessing a few critical aspects that can influence your choice. Durability is paramount; a sturdy frame can withstand the rigors of regular use and will not warp or break easily. Stability is another crucial aspect, as a wobbly frame can lead to uneven tufting and frustration. User reviews and community feedback can provide invaluable insights into the performance of different models. Take the time to read experiences from fellow tufting enthusiasts, as they can highlight potential issues or advantages you might not have considered. Look for frames that come with warranties or satisfaction guarantees, as these can offer peace of mind regarding your investment. By carefully comparing these factors, you can make a well-informed choice that aligns with your crafting needs and expectations.

Price Range and Budget Considerations

The price range for tufting frames can vary significantly based on size, material, and features. While it may be tempting to go for the cheapest option available, it's essential to consider the balance between cost and quality. A budget for your tufting frame should reflect your personal needs and the scale of your projects. If you're just starting out, a more affordable frame may suffice, allowing you to try tufting without a significant financial commitment. However, if you plan to engage in tufting projects regularly or at a larger scale, investing in a higher-quality frame may be wise. Consider the potential longevity and reliability of the frame as part of your budget planning. Reflect on how often you'll use the frame and whether it meets your creative ambitions. By establishing a budget that aligns with your crafting goals, you can make a decision that not only fits your wallet but also enhances your tufting experience.

Final Thoughts on Selecting Your Tufting Frame

In conclusion, selecting the right tufting frame is a crucial step in your creative journey. By understanding the different types of tufting frames, key features to consider, and how to compare various models, you can make a well-informed decision that will enhance your crafting experience. Remember to evaluate your budget in relation to your needs and aspirations. Choose a tufting frame that not only fits your current projects but also inspires you to explore new creative horizons. As you embark on your tufting adventures, may your chosen frame support you in bringing your artistic visions to life!